



AUTOMATED MERCHANDISING SYSTEMS
255 WEST BURR BLVD.
KEARNEYSVILLE, WV 25430
304-725-6921
info@amsvendors.com

INSTALLATION OF VERTICAL, EXECUTIVE, AND ELITE SERIES

The following are step by step instructions for installing aluminum trim with plastic insert, executive decals, and radius fronts on an AMS vendor.

INSTALLATION INSTRUCTIONS

Caution: Always wear eye protection when servicing vendor. When drilling into the door, be careful not to damage the changer, bill validators, card readers or any other devices that may have been installed such as drilling too far into the door. Consult service manual for safety precautions regarding this machine.

1. Unplug the vendor.
2. Review the package to make sure you have all of the parts listed below.

VERTICAL and EXECUTIVE SERIES

- (2) Outside vertical plastic trim sections
- (2) Inside vertical plastic trim sections
- (2) Horizontal plastic trim sections
- (1) Corner template
- (32) Sheet metal screws 8-18 x ½ lg.
- (2) Outside vertical aluminum trim base (65.4")
- (2) Inside vertical aluminum trim base (64.2")
- (2) Horizontal aluminum trim base (37.3")
- (1) Thin vertical decal (Executive Series Only)
- (1) Wide vertical decal (Executive Series Only)

Tools Needed:

- Drill
- 1/8" drill bit
- ¼" socket bit
- Tape
- Rubber hammer
- Squeegee (Executive Series Only)
- Razor knife (Executive Series Only)
- Rubbing alcohol (Executive Series Only)

ELITE SERIES

- (2) Outside vertical plastic trim sections
- (2) Inside vertical plastic trim sections
- (2) Horizontal plastic trim sections
- (1) Corner template
- (46) Sheet metal screws 8-18 x ½ lg.
- (2) Outside vertical aluminum trim base (65.4")
- (2) Inside vertical aluminum trim base (64.2")
- (2) Horizontal aluminum trim base (37.3")
- (1) Thin vertical decal (If applicable)
- (1) Wide vertical decal (If applicable)
- (1) Bottom radius front
- (1) Top radius front
- (1) Bottom radius front template
- (1) Top radius front template
- (4) Rivets

Tools Needed:

Drill

1/8" drill bit

¼" socket bit

Tape

Rubber hammer

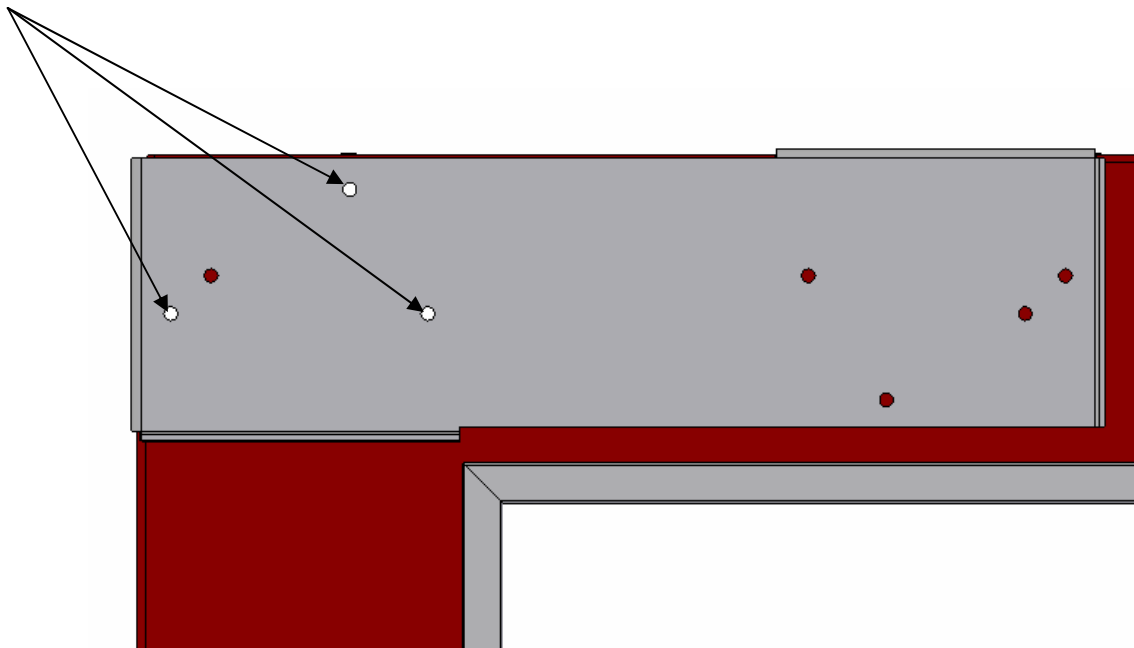
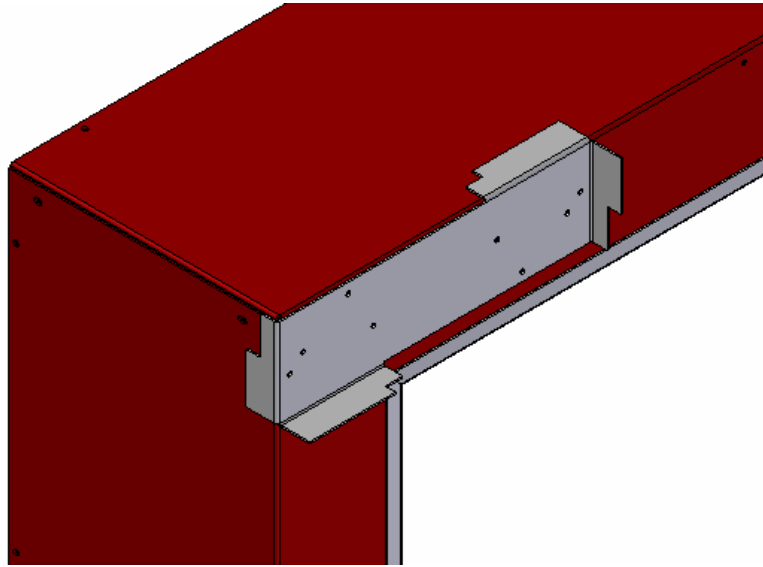
Squeegee (If applicable)

Razor knife (If applicable)

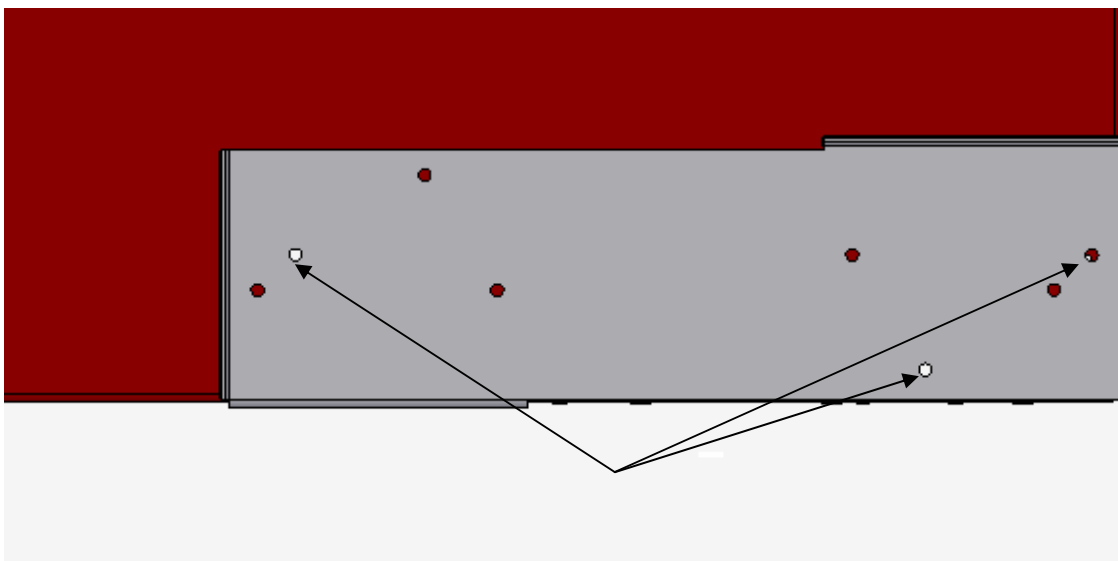
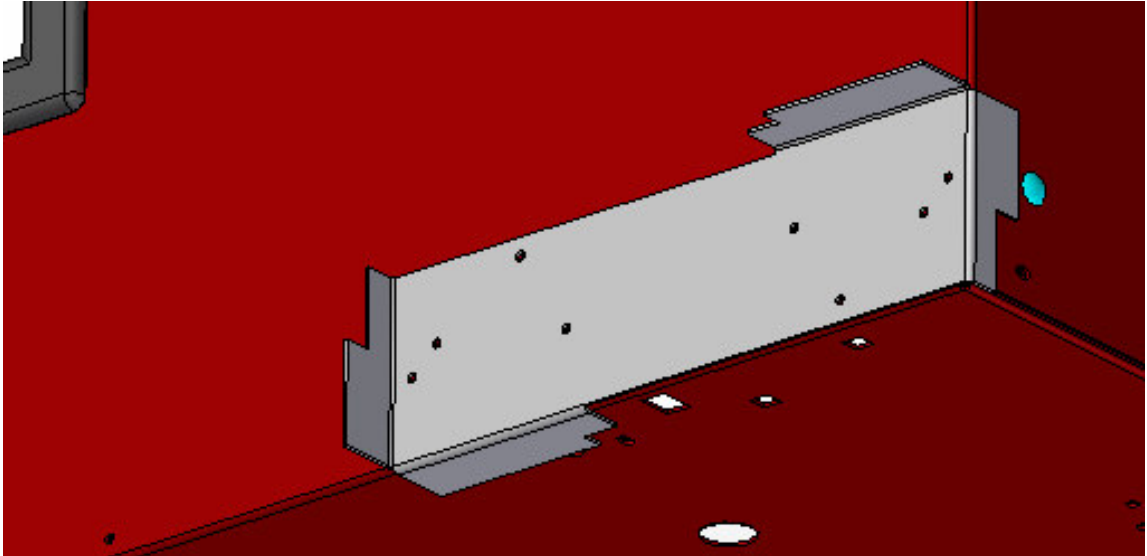
Riveter

Rubbing alcohol (If applicable)

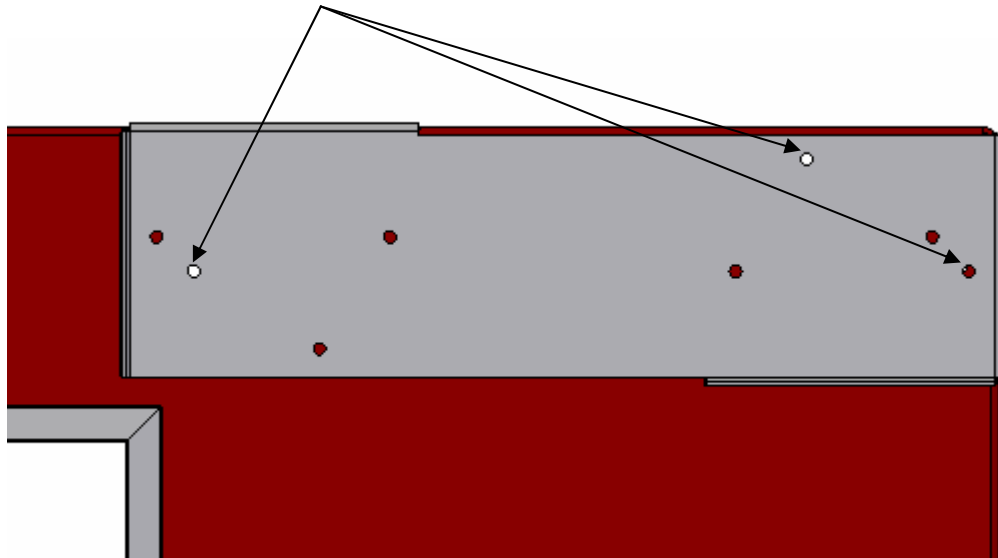
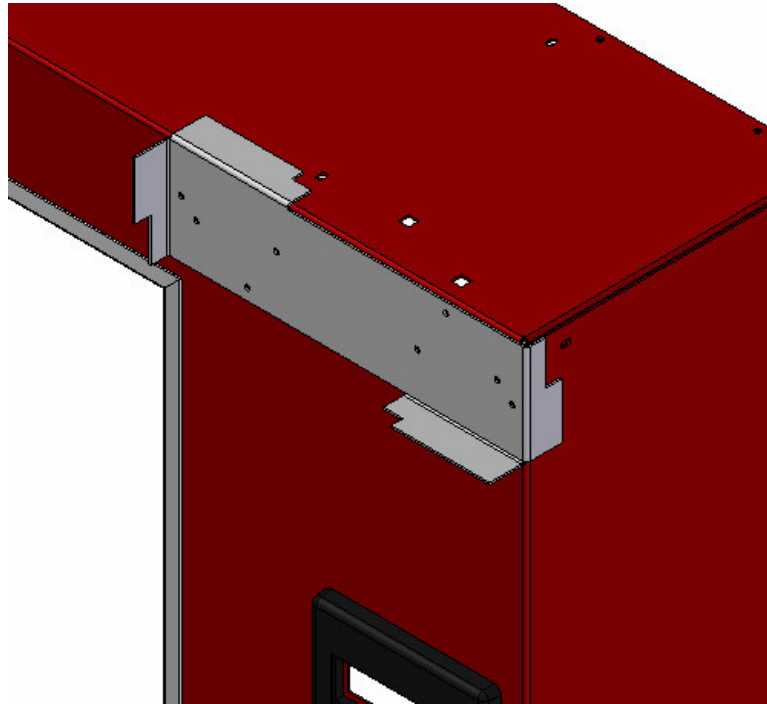
3. Place the template on the top left corner of the door with the flanges resting against the side and top like the illustration. Use the 1/8" drill bit to drill the three holes that are indicated with an arrow.



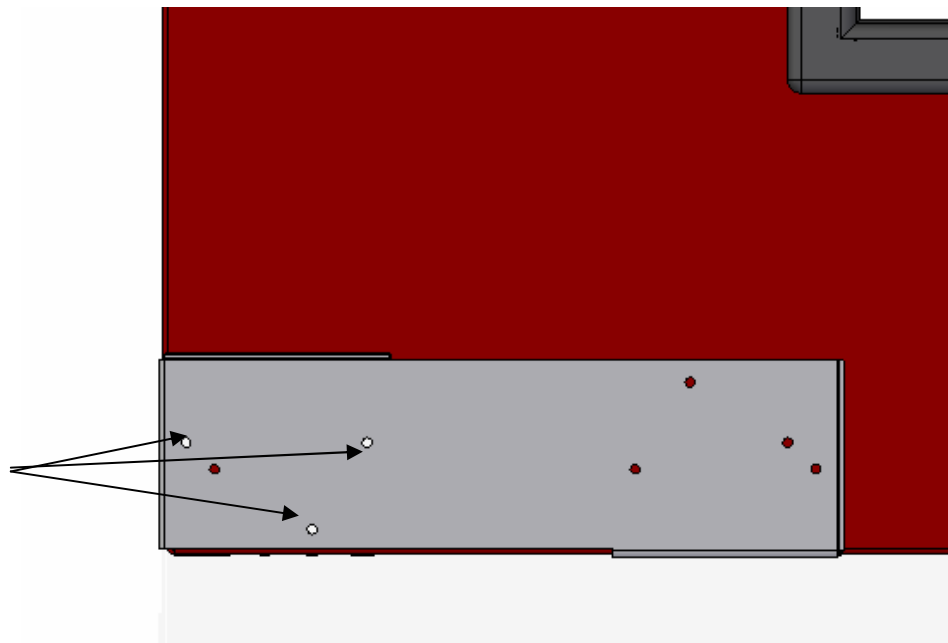
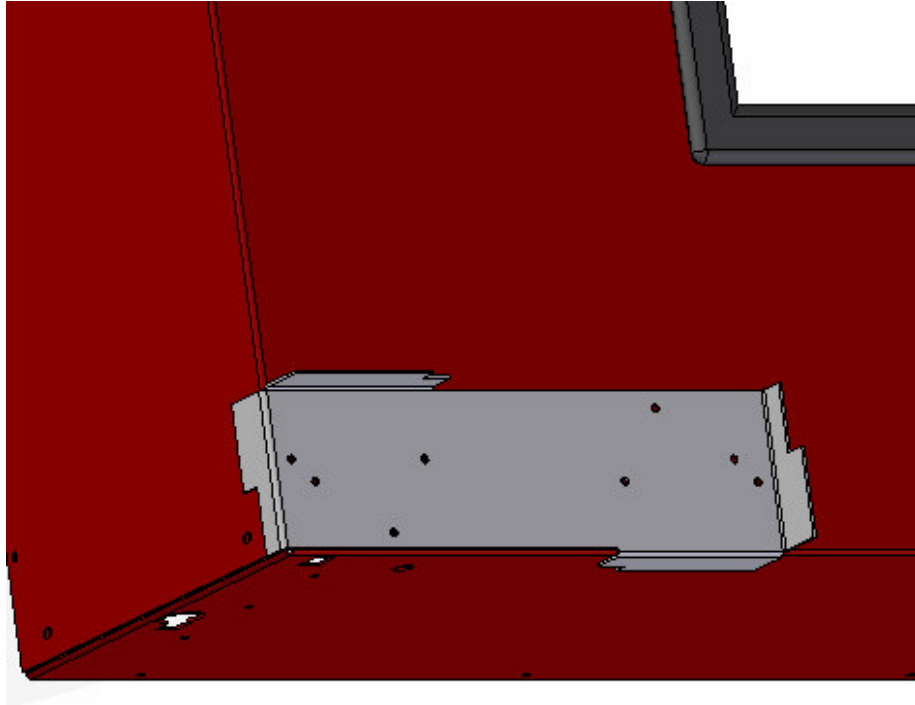
4. Place the template on the bottom right corner of the door with the flanges resting against the side and top like the illustration. Use the 1/8" drill bit to drill the three holes that are indicated with an arrow.



5. Flip the template over and place the template on the top right corner of the door with the flanges resting against the side and top like the illustration. Use the 1/8" drill bit to drill the three holes that are indicated with an arrow.

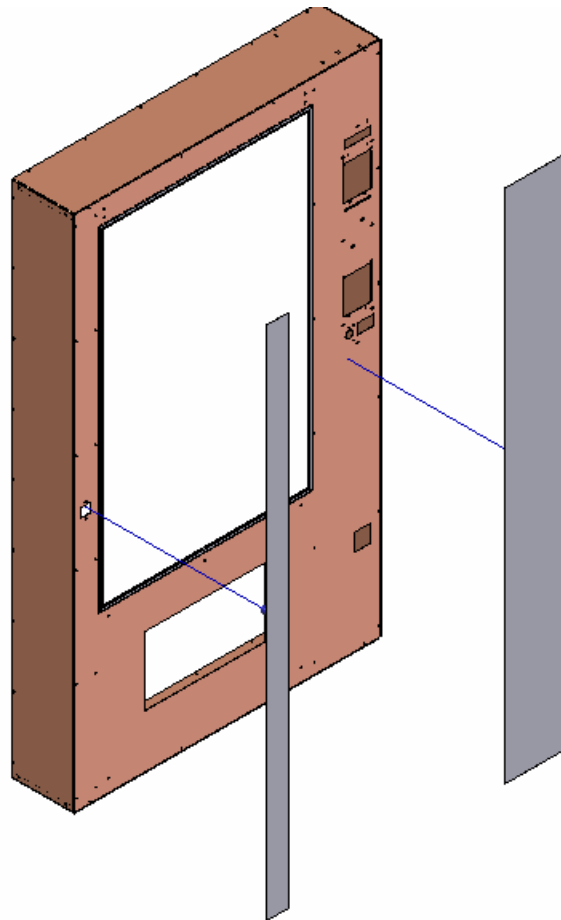


- Place the template on the bottom left corner of the door with the flanges resting against the side and top like the illustration. Use the 1/8" drill bit to drill the three holes that are indicated with an arrow.



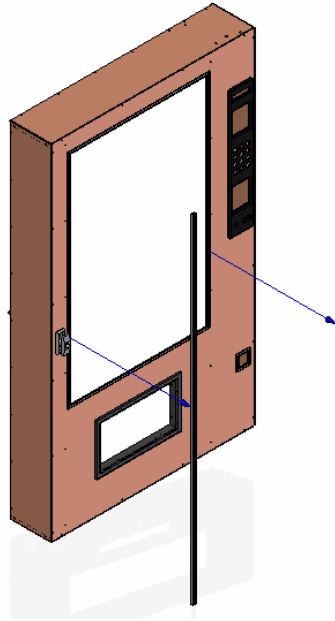
The following instructions are for installing decals. If you are not installing decals then skip to Step # 13.

7. After drilling holes if you have to install decals, remove the tee handle, coin cup trim, and escutcheon.
8. Clean the vendor door of any metal shavings and wipe the door with rubbing alcohol. Be sure that the door is clean of any dirt.
9. Place the left decal (narrow decal) on the left side of the door aligned at the top. Center the decal in between the edge of the door and the edge the window frame. Use a squeegee and working from the center, apply the decal. Make sure there are no bubbles.
10. Place the right decal (wide decal) on the right side of the door aligned at the top. Center the decal in between the edge of the door and the edge the window frame. Use a squeegee and working from the center, apply the decal. Make sure there are no bubbles.

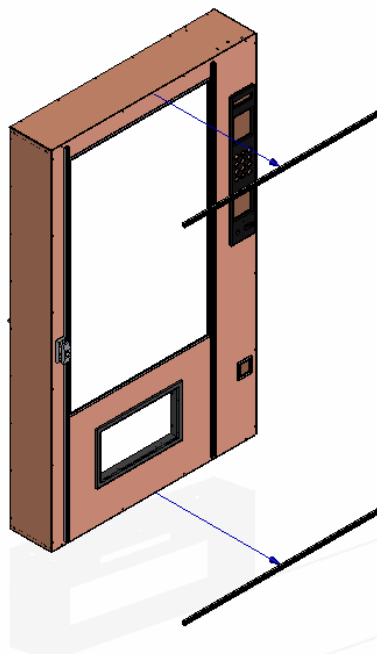


11. Use a razor knife to cut out the holes of the door frame.
12. Reinstall the T-handle, coin cup trim, and escutcheon.

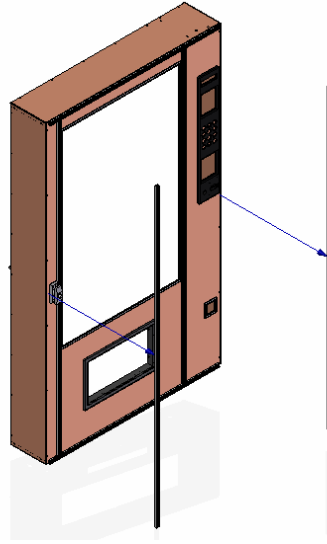
13. Install the vertical inside trim pieces with the #8-18 sheet metal screws. Line up the first and last holes with the drilled holes and attach with screws. Make sure the trim is parallel with the edge of the window frame and screw in one of the middle holes of the trim. Screw in the remaining holes of the trim.



14. Install the top and bottom trim with the #8-18 sheet metal screws. Line up the first and last holes with the drilled holes and attach with screws. Make sure the trim is parallel to the edge of the door and screw in one of the middle holes of the trim. Screw in the remaining holes of the trim.



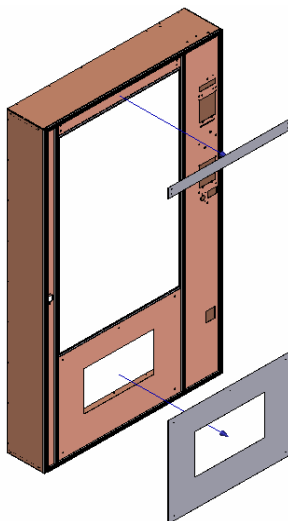
15. Install the outside vertical trim pieces with the #8-18 sheet metal screws. Line up the first and last holes with the drilled holes and attach with screws. Make sure the trim is parallel with the edge of the door and screw in one of the middle holes of the trim. Screw in the remaining holes of the trim.



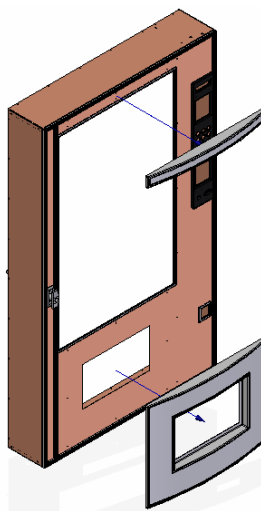
16. Insert the plastic trim inserts to their matching trim base. Start at one end and lightly tap into extrusion working your way to the other end.

The following instructions are for installing the radius fronts.

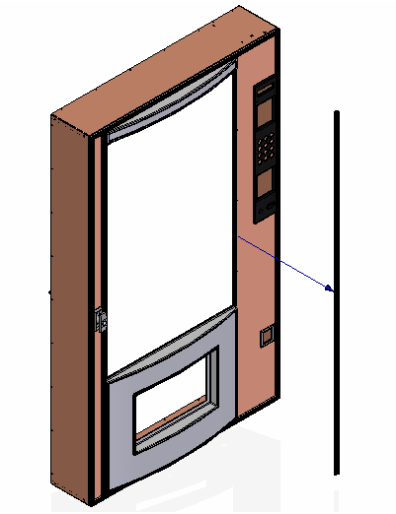
17. If you are installing the radius fronts remove the vend door plastic bezel by drilling out the four rivets on the inside flange with 1/8" drill bit.
18. Take the bottom radius front template and center it on the bottom of the door. Make sure that the L cutout is in the upper left corner. Line up the opening of the vend door with the opening of the template. Use tape to hold the template in place. Use the 1/8" drill bit to drill the holes of the template in the door frame. Do not drill through plastic liner on inside of the door.
19. Center the top radius front template on the top of the door. Make sure that the L cutout is in the upper left corner. Use tape to hold the template in place. Use the 1/8" drill bit to drill the template holes into the door frame. Do not drill through plastic liner on inside of the door.



20. Remove the templates and screw the 8-18 screws into the holes that were just drilled. Screws should be straight and loose enough to allow the screws to slide in the key hole slots in the radius front.
21. Remove the right inside vertical trim and plastic insert from the door.
22. Place the radius fronts on the door by lining up the screw heads with the big hole in the key hole and sliding it to the left.



23. Reattach the right inside vertical trim and plastic insert. (See step 13)



24. Reinstall the plastic vend door trim with four rivets. Re-use the holes in the trim; use the 1/8" drill bit and drill new holes in the sheet metal bracket that holds the plastic vend door trim.

